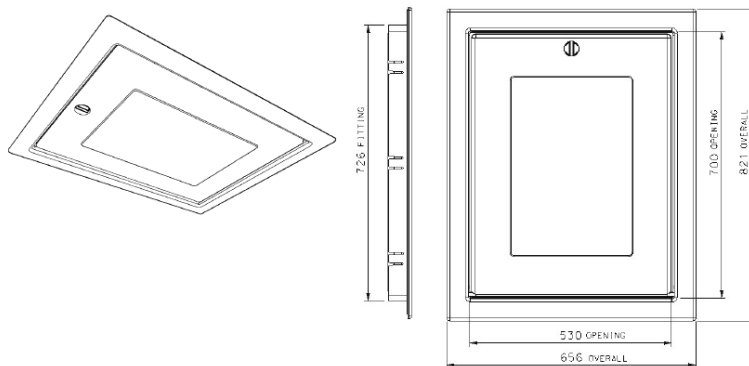


Loft Access Hatches

Non-fire rated loft doors available.

IFZI.20 Drop down, non-fire rated, loft access hatch

Door provides an unobtrusive and cost effective alternative to traditional loft space access, and complies with the insulation requirements of the Part L Building Regulation.

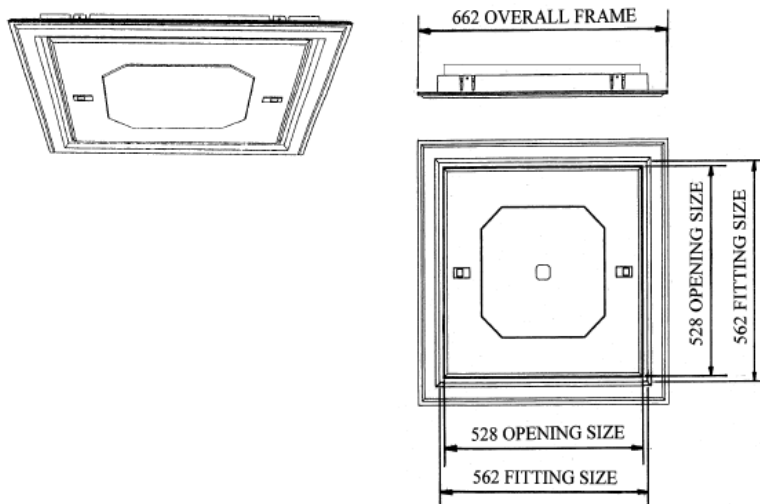


The door has a central spring-loaded catch and a clever hinge assembly enabling it to be easily opened or alternatively totally removed for unobstructed access into the roof space. The catch ensures the draught seal is fully compressed enabling a tight seal between the door and frame preventing the problem of moist air entering the roof space and causing damage to the roof structure and items in the loft space. The door is insulated with 60mm PU insulation slab to achieve a U-value of below 0.35W/M²

The door and frame have been designed with the aesthetic appearance of the modern home in mind and finished with a lightly textured surface that can be easily cleaned with a solvent free damp cloth.)

Environmental Assessment
Expanded Polystyrene Insulation used in the GL250/03L EPS Has a Global Warming Potential (GWP) of less than 5 and is CFC/HCFC-free with zero Ozone Depletion Potential (ODP)

IFZI.21 Push up, non-fire rated, loft access hatch



0 Push Up Loft Access Door provides an unobtrusive and cost effective alternative to traditional loft space access.

The catches pull the door down onto the compression seal to give a tight seal between the door and frame preventing the problem of moist air entering the roof space and causing damage to the roof structure and items in the loft space. Also included with in the door is 110mm of EPS insulation material.

The door and frame have been designed with the aesthetic appearance of the modern home in mind and finished with a lightly textured surface that can be easily cleaned with a solvent free damp cloth.

For samples or further technical information please contact our Sales Office on 01924-438112.