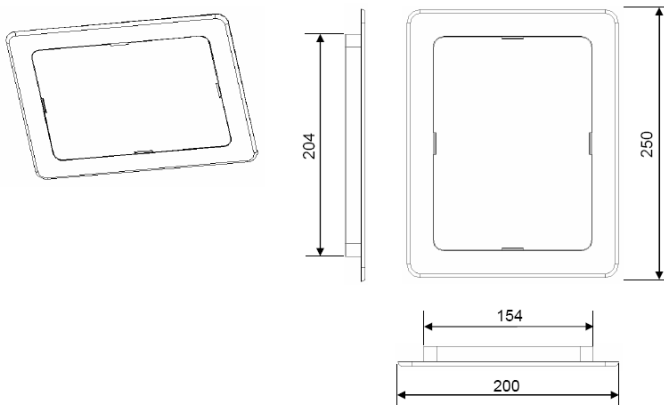


Access Panels

Non-fire rated, plastic access panels available in two sizes.

GL100 200x150mm



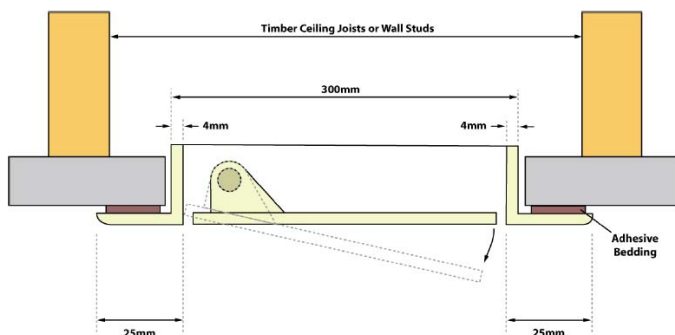
The GL100 Access Panel provides easy access to building services in walls. The panel is predominantly used in domestic household situations for access to i.e.: -

- An electrical wiring system
- Fuse Boxes / Switches
- Controls / Connection Links
- Valves / Stopcocks / Plumbing

The product is lightweight, easy to fit and is manufactured from High Impact Polystyrene (HIPS). This then allows for a smooth textured finish to the panel that can then be painted over if required.

The GL100 also has a fully detachable door for easy and convenient access.

GL300 300x300mm



The GL300 Access Panel provides a cost effective solution for easy access to hidden building services behind a ceiling or wall. The panel is predominantly used in domestic household situations for access to i.e.: -

- Electrical wiring system
- Fuse Boxes / Switches
- Controls / Connection Links
- Valves / Stopcocks / Plumbing

The product is lightweight, easy to fit and is manufactured from a UV stabilised ABS. This allows for a smooth textured finish to the panel that can then be painted over if required.

The GL300 door is hinged along one side but can be fully detached for easy and convenient access.

For samples or further technical information please contact our Sales Office on 01924-438112.