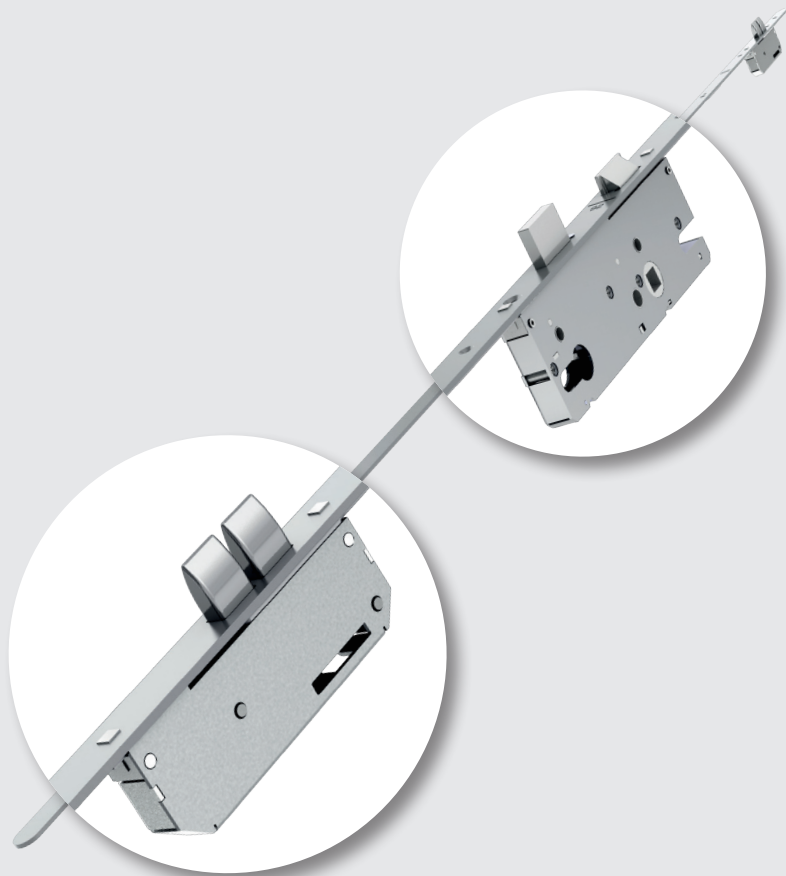


Winkhaus ThunderBolt™ 5

5-Point Locking System



made in
GERMANY



Winkhaus ThunderBolt™ 5

ThunderBolt™ 5 - the 5-Point Locking system especially designed with increased tolerances for door installers.

With over 150 years experience in producing locking systems for the world market Winkhaus is a market leader producing innovative security solutions to meet the challenges of tomorrows rapidly changing security and ease of use requirements.

The popular Winkhaus 'family of locks' range has been further extended with the introduction of the ThunderBolt™ Locking system.

Incorporating twin deadbolts in the upper and lower positions this locking system has **5 DEADBOLTS** as standard. Each deadbolt is 20mm long and 8.5mm thick giving very high security and peace of mind.

This impressive locking system not only looks secure but easily passes the rigours of PAS23/24 and the forthcoming EN 14351-1 2006 security standard when fitted into a door.

Unlike conventional hook locking systems the ThunderBolt™ has up to 50% greater fitting tolerances. This allows for a greater variation in airgap dimensions when the door is installed.

Latest enhancements:-

- Centre gearbox strength increased by up to 30% to further reduce the risk of malicious abusive loads.
- Split Follower mechanism supplied in a fixed Left hand or Right Hand configuration to avoid incorrect factory or site manipulation.



Utilises the same keeps as the popular Winkhaus Cobra™ and Trulock™ range of locks. The split twin deadbolts help to distribute abusive loads and have been tested up to 6.5Kn force, 45% greater than the requirements of PAS23/24.

- Enhanced performance using low friction thrust plates, for smooth precise operation of the deadbolts.
- Lock faceplates stamped with Police 'Secured By Design' logo.

The ThunderBolt™ range is available with several faceplate and backset options:

Faceplate:

- 16mm round end
- 20mm round end

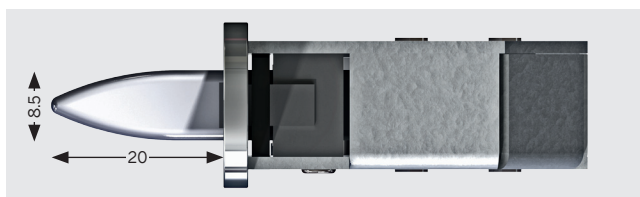
Backset:

- 35mm
- 45mm
- 55mm

Operation:

- Lever operated
- Split Follower lever operated
- Key operated

Superbly engineered and manufactured in Germany the ThunderBolt™ Locking system is approved by the Police 'Secured by Design' security initiative. This important independent endorsement is an essential requirement of the Association of British insurers.



Specially designed twin nickel plated alloy deadbolts are chamfered to allow a high degree of fitting tolerance for door installation. In addition the deadbolt shape provides low operating forces and helps doors achieve a higher level of weather performance.

Keeps fully adjustable $\pm 2\text{mm}$ utilising Torx T15 adjusting tool.



1. 20mm throw twin deadbolts

High security nickel plated alloy deadbolts fully penetrate the keep rail and help prevent forcing apart of the sash and frame.

2. Weather seal compression adjustment in the keeps

Together with the enhanced tapered deadbolt design the adjustment in the keeps provides for low operating forces. With $\pm 2\text{mm}$ adjustment it is possible to adjust for misalignment of the door during and after installation.

3. Heavy duty steel keeps

Heavy duty keeps manufactured using high grade steel, plated to comply with Grade 4 corrosion resistance requirement of BS EN1670 European Standard.

4. Latch and centre deadbolt

Engineered alloy sprung latch and nickel plated steel deadbolt provides the ThunderBolt™ with maximum strength in the centre of the door.

5. High performance gearbox

Tested to 100,000 cycles the sprung gearbox offers the lowest possible operating forces and helps prevent handle 'droop'.

6. Cylinders and handles

ThunderBolt™ has been designed to harmonise with Winkhaus XR6-51 Kitemark profile cylinders (KM531333) and Armorshield™ cylinder guard and to meet PAS23/24 Security and durability standards. The locking system is compatible with industry standard handles and also with the Winkhaus Palladio™ and DDA handle range.

7. Lifetime adaptability

ThunderBolt™ is part of the interchangeable 'Winkhaus family of locks' with exactly the same routing details as the Winkhaus Cobra™, Trulock+ and Automatic AV2+ range of locks.

8. BS10621 Functionality option

The 'FA' Double function incorporates two locking cylinders. A central double or thumbturn cylinder plus an additional half cylinder in the FA housing on the external side of the door. When the dwelling is unoccupied both cylinders can be locked with the SAME key thus double deadlocking the door. This prevents any intruder who may have entered the property elsewhere, exiting the property by operating the internal thumbturn and unlocking the door (deadlocking the half cylinder on the outside overrides the internal lock operation)

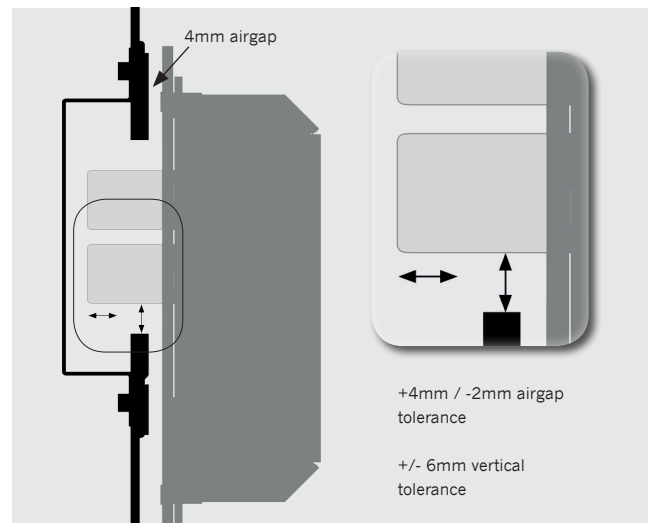
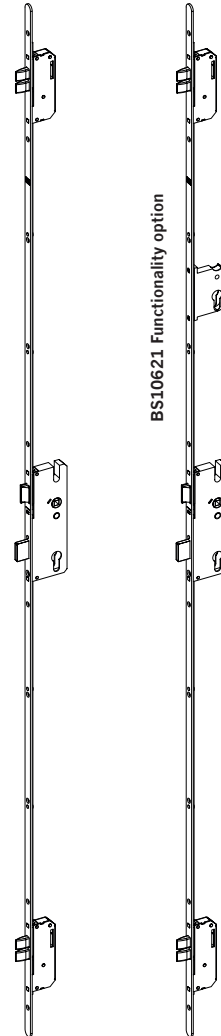


Diagram shows the increased tolerances for door installation using a ThunderBolt™

Winkhaus UK Ltd

2950 Kettering Parkway, Kettering,
Northants NN15 6XZ

Tel: +44 (0)1536 316000

Fax: +44 (0)1536 416516

www.winkhaus.co.uk

email: enquiries@winkhaus.co.uk